

MELANCON BALL VALVES

FULL PORT - M78SW6 Series

- * **6000 psi, WOG, 316 S.S.**
Welded End for Added Safety
The valve body CANNOT be unscrewed.

- * **6170 psi, WOG, Carbon Steel**
WCB with 316 S.S. Ball & Stem

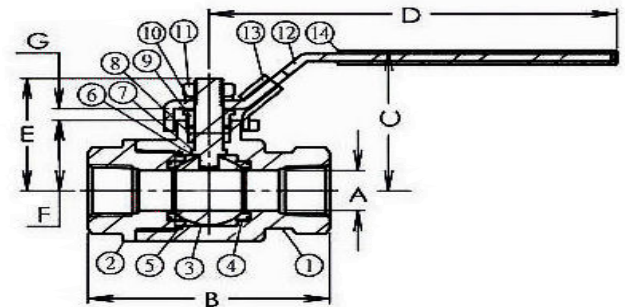
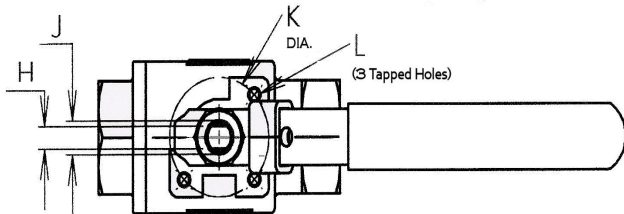
Sizes: 1/4" - 2" In Stock



Standard Features

1. **Wall thickness according to AMSE B16.34, ANSI 2500 Class**
2. **6000 psi, WOG Rating on 316 SS (CF8M)**
* **6170 psi, WOG Rating on Carbon Steel**
3. **NACE MR-0175 Compliant**
4. **Fire Safe tested to API 607, 5th Edition**
5. **ISO 5211 Mounting Pad for Actuator**
6. **Lever Locking Handle**
7. **Blow - Out Proof Stem, Floating Ball**
8. **Tested to API 598**
- * 9. **Welded End for Added Safety**
- * 10. **2000 psi & 3600 psi valves also in STOCK.**

Parts	Material
1. BODY	CF8M or WCB
2. CAP	CF8M or WCB
3. BALL	CF8M
4. BALL SEAT	3600 DELRIN / 6000 PEEK
5. JOINT GASKET	GRAPHITE
6. STEM	316 S.S. or 17- 4 PH (1-1/2", 2")
7. THRUST WASHER	PEEK
8. STEM PACKING	GRAPHITE
9. GLAND NUT	304 S.S.
10. SPRING WASHER	304 S.S.
11. STEM NUT	304 S.S.
12. HANDLE	304 S.S.
13. LOCKING DEVICE	304 S.S.
14. HANDLE COVER	PLASTIC



SIZE	MELANCON	A	B	C	D	E	F	G	H	J	K	L	ISO 5211	Weight	Cv	Max Torque
1/4" FP	M14 - 78SW6	0.25	3	2.22	5	1.64	1	0.18	0.195	0.311	1.42	1/4-20 UNC	F03	1.58	10	100 in - lbs
3/8" FP	M38 - 78SW6	0.38	4	2.23	5	1.64	1	0.18	0.195	0.311	1.42	1/4-20 UNC	F03	1.71	14	100 in - lbs
1/2" FP	M12 - 78SW6	0.50	4	2.22	5	1.64	1	0.18	0.195	0.311	1.42	1/4-20 UNC	F03	2.38	16	140 in - lbs
3/4" FP	M34 - 78SW6	0.75	4.3	2.89	5.83	2.13	1.32	0.21	0.274	0.436	1.65	1/4-20 UNC	F04	3.81	32	270 in - lbs
1" FP	M1 - 78SW6	1.00	4.8	3.50	8.19	2.81	1.76	0.28	0.374	0.559	1.97	1/4-20 UNC	F05	6.73	62	700 in - lbs
1-1/2" FP	M112-78SW6	1.50	5.3	4.34	10.2	3.85	2.5	0.34	0.392	0.623	2.76	5/16-18 UNC	F07	14.58	140	1200 in-lb
2" RP	M2 - 78SW6	1.50	6.3	4.34	10.2	3.85	2.5	0.34	0.392	0.623	2.76	5/16-18 UNC	F07	18.06	120	1200 in-lb

www.MelanconEnergy.com

sales@MelanconEnergy.com



281 . 277 . 5300

281 . 277 . 5303 Fax

(over)