

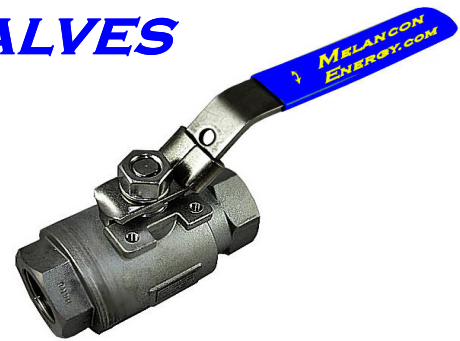
# MELANCON BALL VALVES

## FULL Port - M78SW Series

2000 psi, WOG, 316 S.S.

\* **Welded End for Added Safety**

The valve body **CANNOT** be unscrewed.

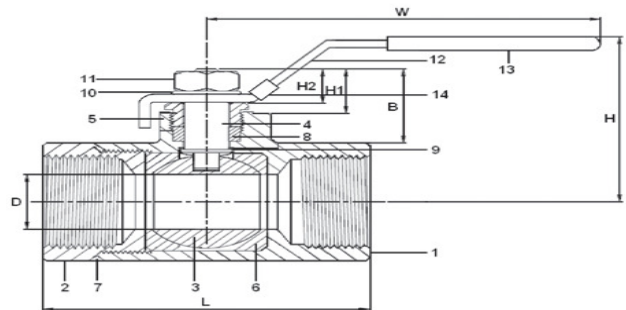
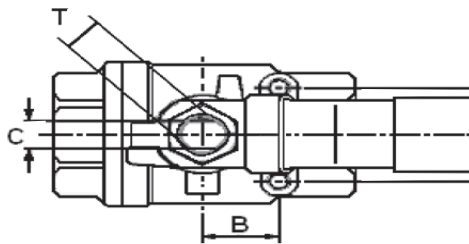


### Standard Features

1/4" - 2" **In Stock**

1. 2000 psi, WOG Rating on CF8M
- \* Valves also available in 3600 & 6000 psi.
2. **FULL Port, 2" Almost Full (1.95" Port)**
- \* 3. **Welded End for Added Safety**
4. **NACE MR-0175 Compliant**
5. **Mounting Pad**
6. **Lever Locking Handle**
7. **Blow - Out Proof Stem, Floating Ball**

Parts	Material
1. BODY	ASTM A351-CF8M/1.4408 (316 SS)
2. CAP	ASTM A351-CF8M/1.4408 (316 SS)
3. BALL	ASTM A351-CF8M (316 SS)
4. STEM	ASTM A276 - (316 SS)
5. GLAND NUT	304 SS
6. BALL SEAT	PTFE / RPTFE
7. BODY SEAL	PTFE
8. PACKING	PTFE / RPTFE
9. THRUST WASHER	PTFE
10. SPRING WASHER	304 SS
11. STEM NUT	304 SS
12. HANDLE	304 SS
13. HANDLE SLEEVE	PVC
14. LOCKING DEVICE	304 SS



SIZE	MELANCON	D	L	H	H1	H2	W	S	B	C	T	Torque	Weight
1/4" FP	M14-78SW	0.3200	2.2521	1.9685	0.9843	0.4331	3.937	1.1024	0.5512	0.1969	0.3071	22.13	0.70
3/8" FP	M38-78SW	0.3800	2.2521	1.9685	0.9843	0.4331	3.937	1.1024	0.5512	0.1969	0.3071	22.13	0.70
1/2" FP	M12-78SW	0.5069	2.5108	1.9685	0.9843	0.4331	3.937	1.1024	0.5512	0.1969	0.3071	26.55	1.15
3/4" FP	M34-78SW	0.7874	2.9535	2.3622	1.2402	0.6299	4.921	1.3780	0.8661	0.2559	0.3071	44.25	1.75
1" FP	M1-78SW	0.9843	3.5531	2.7559	1.4370	0.7087	6.299	1.3780	0.8661	0.3150	0.4252	61.95	2.20
1-1/4" FP	M114-78SW	1.2598	4.0245	3.1496	1.4370	0.7087	6.299	1.4961	0.9449	0.3150	0.4252	88.51	4.00
1-1/2" FP	M112-78SW	1.4961	4.5574	3.5433	1.6732	0.8071	7.480	1.4961	0.9449	0.3543	0.4921	132.76	5.00
2" RP	M2-78SW	1.9585	5.4187	3.5433	1.6732	0.7283	7.480	1.4961	0.9449	0.3543	0.4921	177.01	8.20

[www.MelanconEnergy.com](http://www.MelanconEnergy.com)

[sales@MelanconEnergy.com](mailto:sales@MelanconEnergy.com)



(over)

281.277.5300

281.277.5303 Fax